

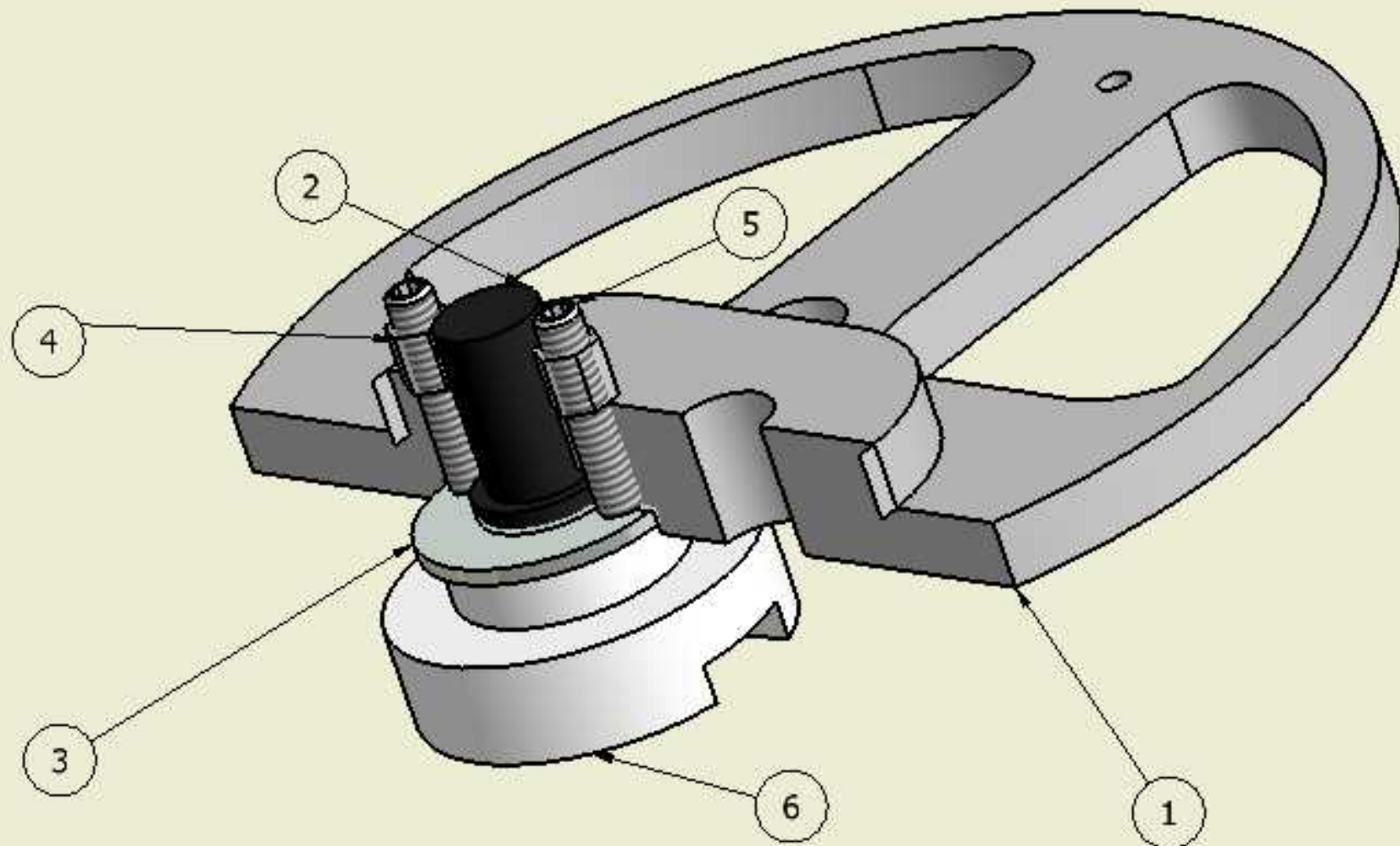
Parts List	
ITEM	DESCRIPTION
1	SPIDER PLATE
2	BUTTON
3	BRAKE PLATE WASHER
4	LOCKING NUT
5	1/4-20 ADJUSTING SET SCREW
6	BRAKE PLATE

**STEP #1** LOOSEN #4(LOCKING NUT) WITH A 5/32 WRENCH

**STEP #2** SCREW BOTH OF #5(ADJUSTING SCREW) DOWN UNTIL IT STOPS USING A 1/8 ALLEN WRENCH.

**STEP #3** BACKOFF BOTH #5's EQUALLY UNTIL SHAFT TURNS SMOOTH WITHOUT KNOCKING.

**STEP #4** WITH ALLEN WRENCH IN PLACE TIGHTEN LOCKING NUTS



DRAWN BY:

DM

**JUNKIN SAFETY APPL. CO.**  
**3121 MILLERS LN**  
**LOUISVILLE KY 40216**

PT #

**ADJUSTMENT DESCRIPTION**

DATE

5/12/10

MATERIAL