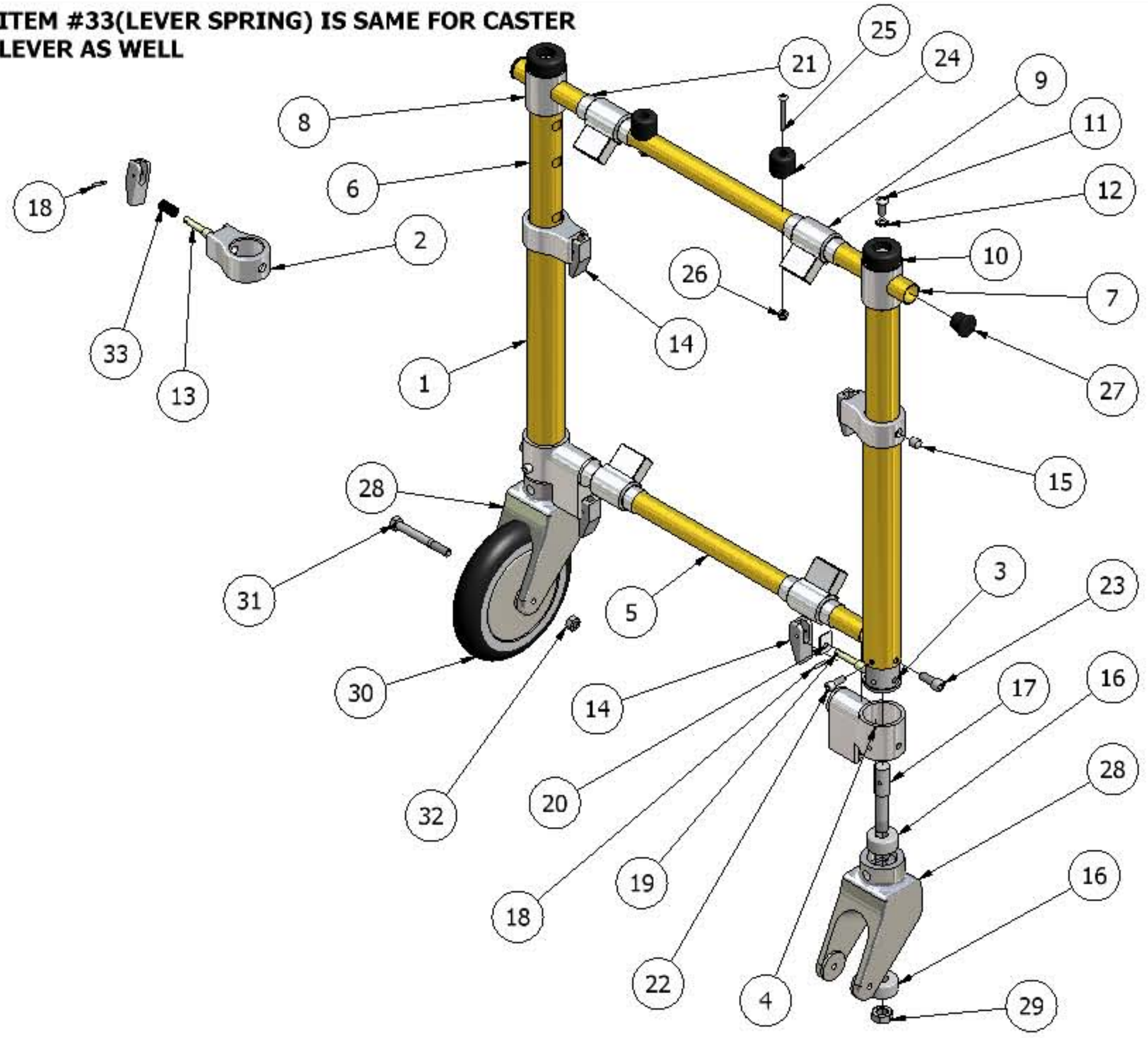


**NOTE-ITEM #33(LEVER SPRING) IS SAME FOR CASTER  
LEVER AS WELL**

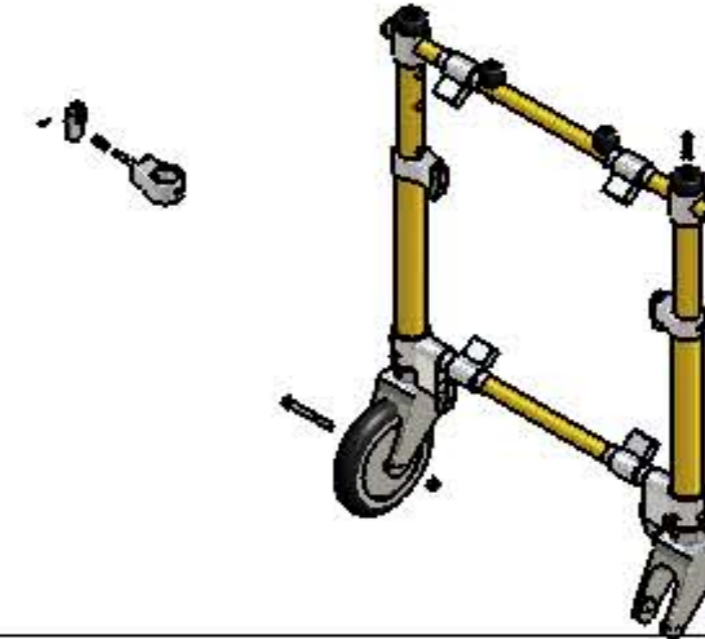


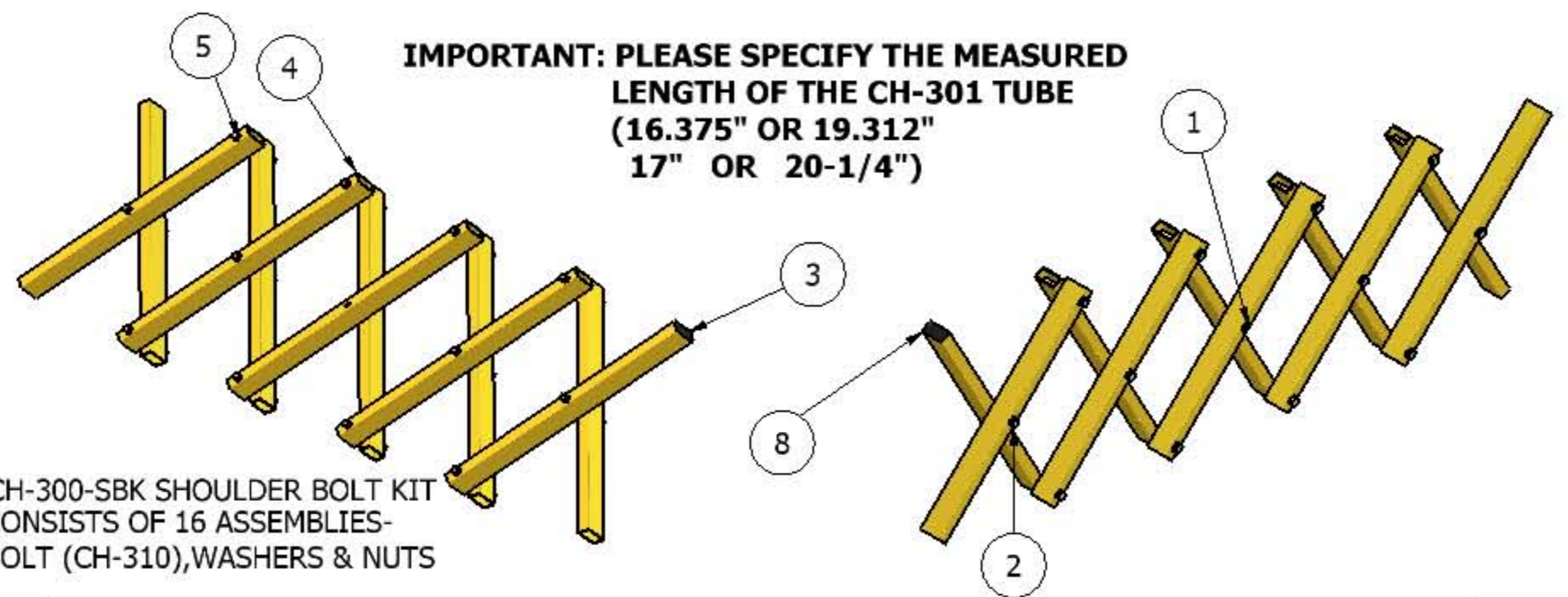
<b>END FRAME ASSY BILL OF MATERIALS (Pg 1)</b>	DATE 5/17/06	MATERIAL
--	--------------	----------

Parts List				Parts List			
ITE	QTY	PART NUMBER	DESCRIPTION	ITE	QTY	PART NUMBER	DESCRIPTION
1	4	CH-309	OUTER TUBE	18	8	CH-333	1/8 x 5/8 Groove Pin Type C
2	4	CH-302	TUBE END CASTING	19	4	CH-318	CASTER LOCKING PIN
3	4	CH-320	SWIVEL BASE PLUG	20	8	CH-348	NYLON LEVER GLIDE
4	4	CH-303	SWIVEL BASE	21	8	CH-321	RING
5	2	CH-311	CROSSBAR-LOWER	22	4	CH-349	1/4-20 x 5/8 Socket Hd Cap Screw
6	4	CH-308	INNER TUBE	23	4	CH-344	5/16/18 x 3/4 Socket Head Cap Screw
7	2	CH-312	CROSSBAR UPPER	24	4	CH-346	RECESS BUMPER-SMALL
8	4	CH-306	TUBE CAP CASTING	25	4	CH-338	10-24 x 1-1/2 Phiips Round Hd Screw
9	8	CH-305	SLEEVE HINGE	26	4	CH-350	10-24 Hex Nut Locking
10	4	CH-325	RUBBER BUMPER- LARGE	27	4	CH-313	UPPER BAR END CAP
11	4	CH-327	1/4-20 x 5/8 Phillips Pan Hd Screw	28	4	CH-307	CASTER
12	4	1/4 " Lock Washer	External Tooth Lock Washer	29	4	CH-340	1/2-20 Hex Jam Nut
13	4	CH-317	ELEVATING PIN	30	4	CH-315	WHEEL
14	8	CH-304	LEVER	31	4	CH-330	5/16-18 X 2-1/2 Hex Hd Machine Screw
15	4	CH-316	SECURING PIN	32	4	CH-331	5/16-18 Thin Jam Nylon Nut
16	4	CH-322-XXX SEE BELOW	BEARING	33	4	CH-335	COMPRESSION SPRING
17	4	CH-319	SWIVEL SHAFT				

PT# CH-322-XXX WHERE "XXX" REPRESENTS BEARING OUTSIDE DIAMETER

EXAMPLES: CH-322-1.375  
 CH-322-1.270  
 CH-322-1.250  
 CH-322-1.222





**IMPORTANT: PLEASE SPECIFY THE MEASURED LENGTH OF THE CH-301 TUBE (16.375" OR 19.312" 17" OR 20-1/4")**

\*PT# CH-300-SBK SHOULDER BOLT KIT CONSISTS OF 16 ASSEMBLIES- BOLT (CH-310), WASHERS & NUTS

Parts List			
ITEM	QTY	PART NUMBER	DESCRIPTION
1	26	CH-328	.312 BRASS WASHER
2	12	CH-310*	SHOULDER BOLT
3	4	CH-301S TWO HOLES 16.375" OR 19.312" LONG	RECTANGULAR TUBE-SHORT
4	6	CH-301L THREE HOLES 17" OR 20-1/4" LONG	RECTANGULAR TUBE-LONG
5	12	CH-339	.250 WASHER
6	12	CH-334	1/4-28 LOW CROWN ACORN NUT
7	2	CH-343	GUSSETT
8	16	CH-314	Rectangular End Cap

DRAWN BY:  
DM

**JUNKIN SAFETY APPL. CO.**  
3121 MILLERS LN  
LOUISVILLE KY 40216

PT #	<b>CH-300 RACK ASSEMBLY</b>	
DATE	5/25/06	MATERIAL