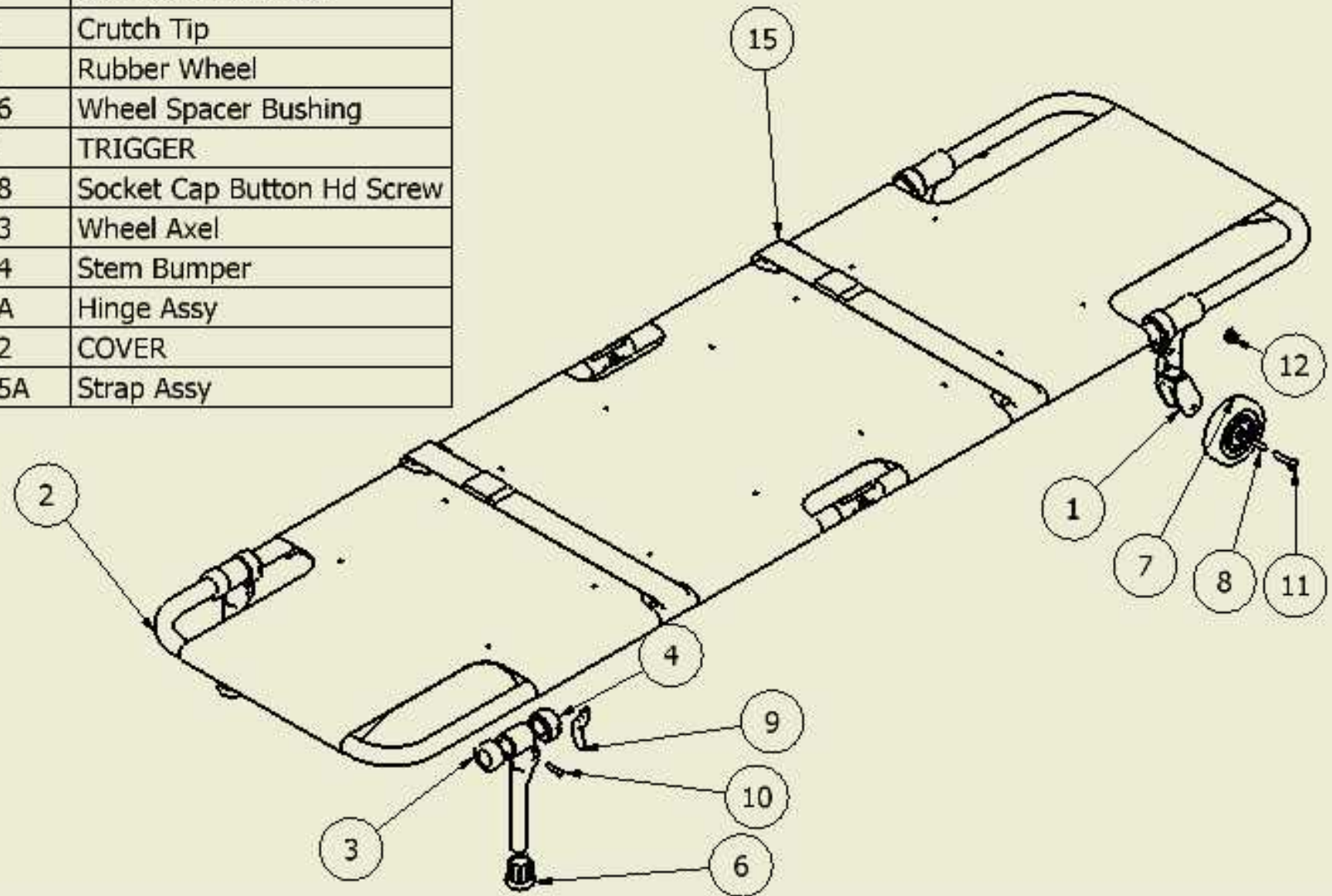


Parts List			
ITEM	QTY	PART NUMBER	DESCRIPTION
1	2	JSA-602-2	Wheel Housing
2	2	JSA-602-6	MAIN FRAME
3	4	JSA-602-5	COLLAR-STOP
4	4	JSA-602-4R	LOCKING COLLAR
5	2	JSA-602-1	LEG POST CASTING
6	2	JSA-602-7	Crutch Tip
7	2	JSA-602-8	Rubber Wheel
8	2	JSA-602-16	Wheel Spacer Bushing
9	4	JSA-602-3	TRIGGER
10	4	JSA-602-18	Socket Cap Button Hd Screw
11	2	JSA-602-23	Wheel Axel
12	2	JSA-602-24	Stem Bumper
13	2	JSA-362-2A	Hinge Assy
14	1	JSA-602-12	COVER
15	2	JSA-602-15A	Strap Assy



DRAWN BY:

DM

**JUNKIN SAFETY APPL. CO.**  
**3121 MILLERS LN**  
**LOUISVILLE KY 40216**

PT #

**JSA-602 Stretcher Assy**

DATE

1/12/2011

MATERIAL